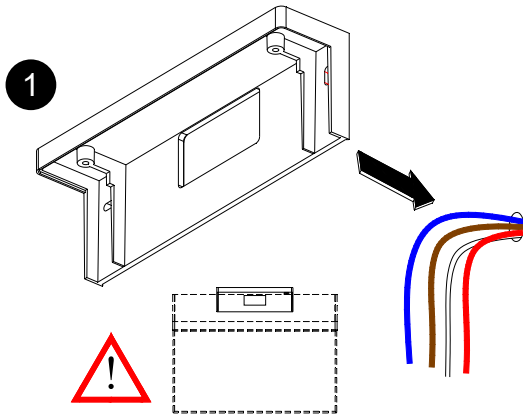


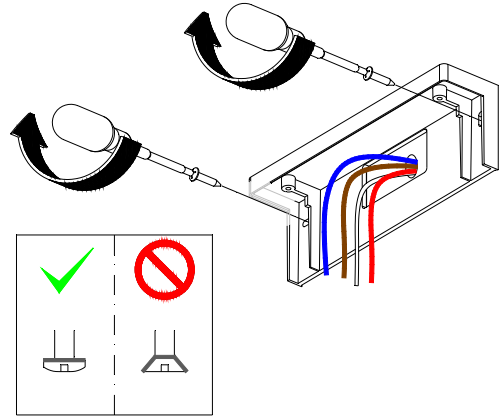
APB VDC
APN VDC



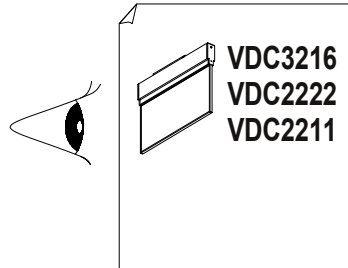
1



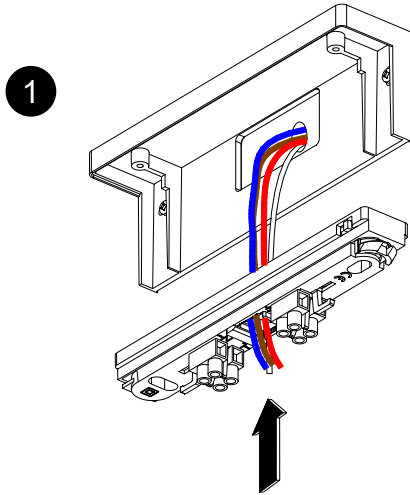
3



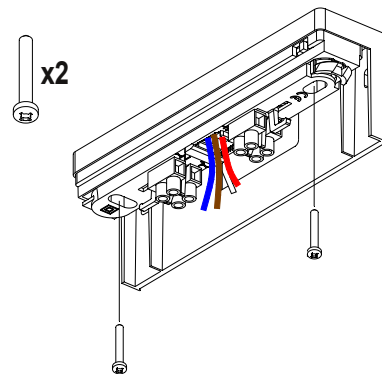
2



3



2



4

